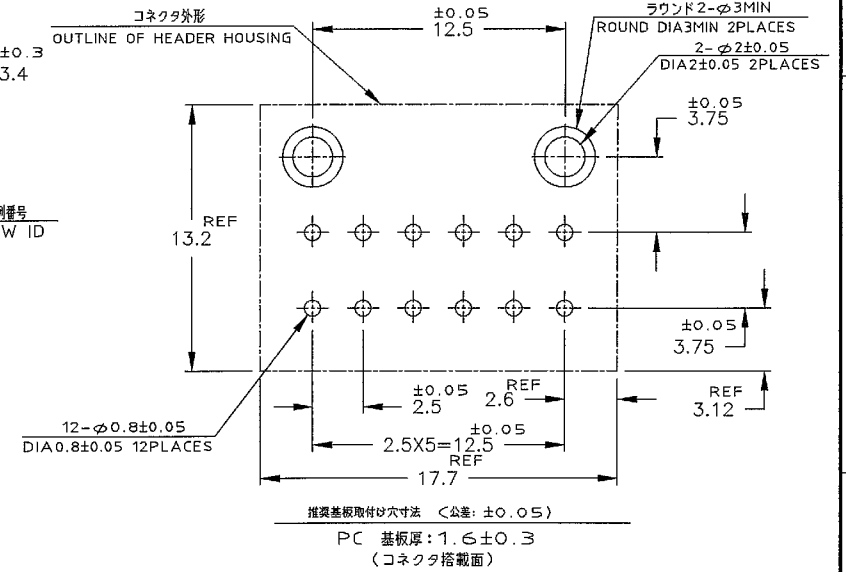
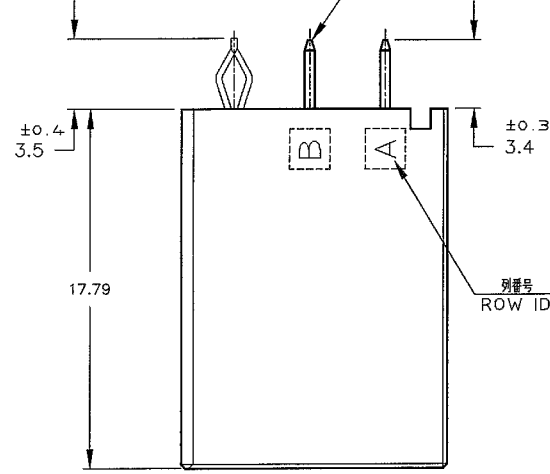
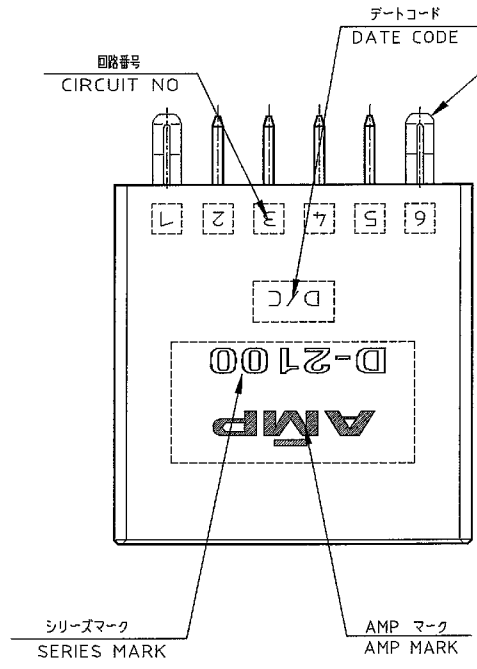
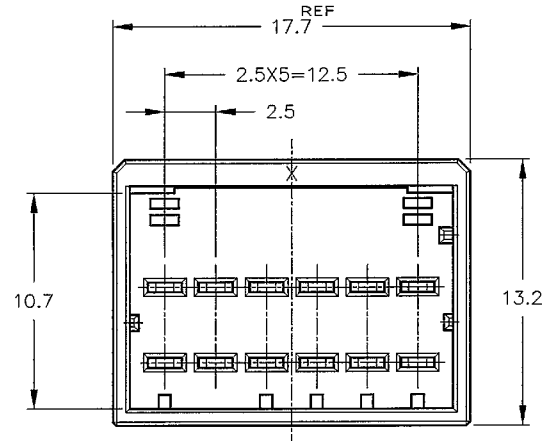


THIS DRAWING IS UNPUBLISHED. RELEASED FOR PUBLICATION 1998  
 © COPYRIGHT 1998 BY AMP INCORPORATED. ALL RIGHTS RESERVED.

LOC		DIST		REVISIONS				
P	LTR	DESCRIPTION	EEN	DATE	DWN	APVD		
	0	RELEASED	FJ00-1421-98	7/DEC '98	K.I	I.H		
	A	REVISED	FJ00-1080-00	21/SEP '00	Y.K	S.M		
	B	REVISED	FJ00-2363-02	11/NOV '02	T.S	S.M		
	C	REVISED	FJD0-0039-03	02/JUN '03	T.S	S.M		
	C1	REVISED	FJD0-0318-03	25/FEB '03	T.S	S.M		



RECOMMENDED PC BOARD HOLE PATTERN(TOL:±0.05)  
 PC BOARD THICKNESS:1.6±0.3  
 (CONNECTOR MOUNT SIDE)



NOTES

1. MATERIAL:HOUSING:GLASS FILED THERMO PLASTIC,  
 POLYESTER(94V-0),COLOR:BLACK

TAB CONTACT: COPPER ALLOY  
 RETENTION LEG: BRASS

△ FINISH(CONTACT AREA):0.38μMIN GOLD PLATING  
 OVER Ni PLATING

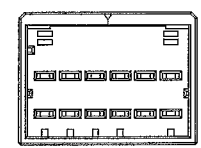
△ FINISH(RETENTION LEG): TIN PLATED  
 (CONTACT TAIL) OVER NICKEL

注記

1. 材料: ハウジング: ガラス入り熱可塑性  
 ポリエステル樹脂 (94V-0), 色: 黒  
 タブ コンタクト: 銅合金  
 リテンション レグ: 黄銅

△ めっき: コンタクト: 全面Ni下地  
 接触部: 0.38μm MIN金めっき

△ めっき: リテンションレグとコンタクト半田付部  
 : ニッケル下地の上にスズめっき

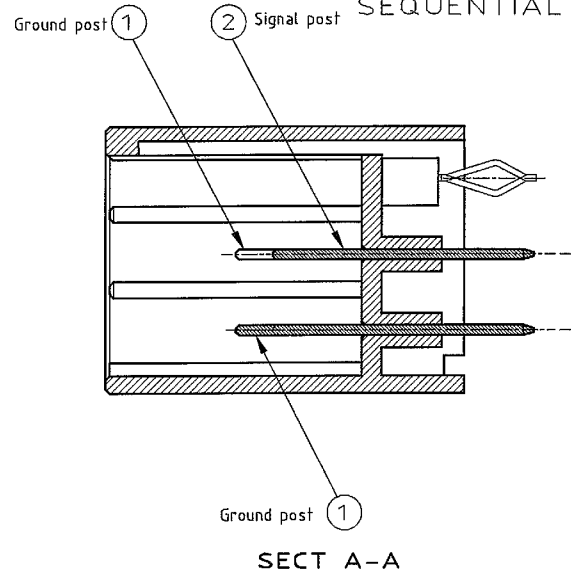
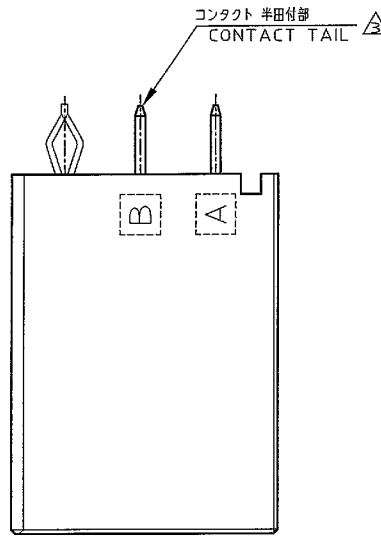
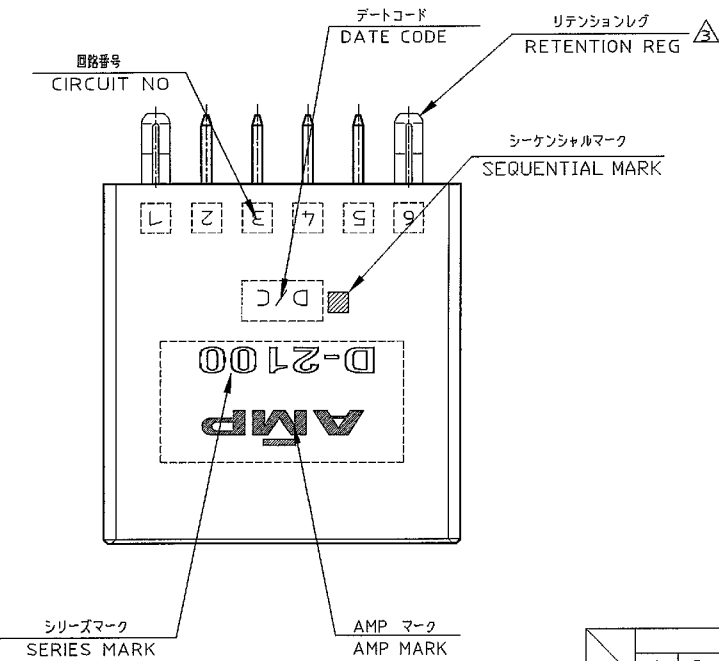


SCALE:2-1

THIS DRAWING IS A CONTROLLED DOCUMENT FOR AMP INCORPORATED. IF IT IS SUBJECT TO CHANGE AND THE CONTROLLING ENGINEERING ORGANIZATION SHOULD BE CONTACTED FOR THE LATEST REVISION.		CHK K.IKEDA 7/DEC/98	tyco Electronics		Tyco Electronics AMP K.K. Kawasaki, Japan	
DIMENSIONS: 単位 ㎜		APVD N.MATSUBARA 7/DEC/98	NAME 名称 2列 ヘッダーアセンブリー 12P 〈垂直タイプ〉 DOUBLE ROW HEADER ASS'Y 12P ("V"TYPE) -DYNAMIC D-2100D-		RESTRICTED TO	
TOLERANCES UNLESS OTHERWISE SPECIFIED		PRODUCT SPEC 製品規格 108-5619	SIZE 寸法 A3		CAGE CODE 倉庫番号 00779	
MATERIAL 材質 注記参照 SEE NOTES		APPLICATION SPEC 動作運用規格 114-5258	DRAWING NO 図番 C-1318126		SCALE 尺度 4-1	
FINISH 仕上 注記参照 SEE NOTES		WEIGHT	SHEET 張数 1 OF 2		REV 訂正 C1	
CUSTOMER DRAWING						

REVISIONS					
P	LTR	DESCRIPTION	ECN	DATE	DWN APVD
		SEE 1 OF 2			

1-1318126-1,2; AS SHOWN  
 SEQUENTIAL TYPE



		回路番号					
列番号	B	①	②	③	④	⑤	⑥
	A	②	②	②	②	②	①

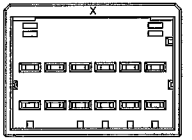
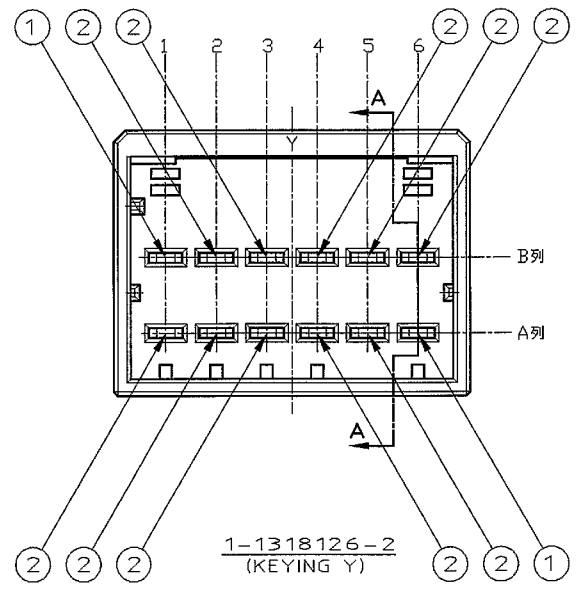
POINT OF SEQUENTIAL  
 1-1318126-1,2

NOTES

- MATERIAL: HOUSING: GLASS FILLED THERMO PLASTIC, POLYESTER (94V-0), COLOR: BLACK  
 TAB CONTACT: COPPER ALLOY  
 RETENTION LEG: BRASS  
 △ FINISH (CONTACT AREA): 0.38μm MIN GOLD PLATING OVER NI PLATING  
 △ FINISH (RETENTION LEG): TIN PLATED (CONTACT TAIL) OVER NICKEL

注記

- 材料: ハウジング: ガラス入り熱可塑性ポリエステル樹脂 (94V-0), 色: 黒  
 タブ コンタクト: 銅合金  
 リテンション レグ: 黄銅  
 △ めっき: コンタクト: 全面Ni下地 接触部: 0.38μm MIN金めっき  
 △ めっき: リテンションレグとコンタクト半田付部: ニッケル下地のの上にスズめっき



1-1318126-1  
 (KEYING X)  
 SCALE: 2-1

THIS DRAWING IS A CONTROLLED DOCUMENT FOR AMP INCORPORATED. IT IS SUBJECT TO CHANGE AND THE CONTROLLING ENGINEERING ORGANIZATION SHOULD BE CONTACTED FOR THE LATEST REVISION.		DWN K.IKEDA 7/DEC/98		Tyco Electronics AMP K.K. Kawasaki, Japan	
DIMENSIONS: 単位 mm		CHK N.MATSUBARA 7/DEC/98		NAME 2列 ヘッダーアセンブリー 12P	
TOLERANCES UNLESS OTHERWISE SPECIFIED		APVD I.HASEGAWA 7/DEC/98	<垂直タイプ> DOUBLE ROW HEADER ASS'Y 12P ("V" TYPE) -DYNAMIC D-2100D-		
		PRODUCT SPEC 108-5619	SIZE A3	CAGE CODE 00779	DRAWING NO C=1318126
MATERIAL 注記参照 SEE NOTES		APPLICATION SPEC 114-5258	RESTRICTED TO		
FINISH 注記参照 SEE NOTES		WEIGHT T1	SCALE 4-1 SHEET 2 OF 2 REV C1		
CUSTOMER DRAWING					